

View from Bottom

Assembly Checked By:



TITLE:

DWG#

3x4 Cart

PROPRIETARY AND CONFIDENTIAL

THE INFORMATION CONTAINED IN THIS DRAWING IS THE SOLE PROPERTY OF FRAMING TECHNOLOGY INC. ANY REPRODUCTION IN PART OR AS A WHOLE WITHOUT THE WRITTEN PERMISSION OF FRAMING TECHNOLOGY INC IS PROHIBITED.

SIZE  
**A**

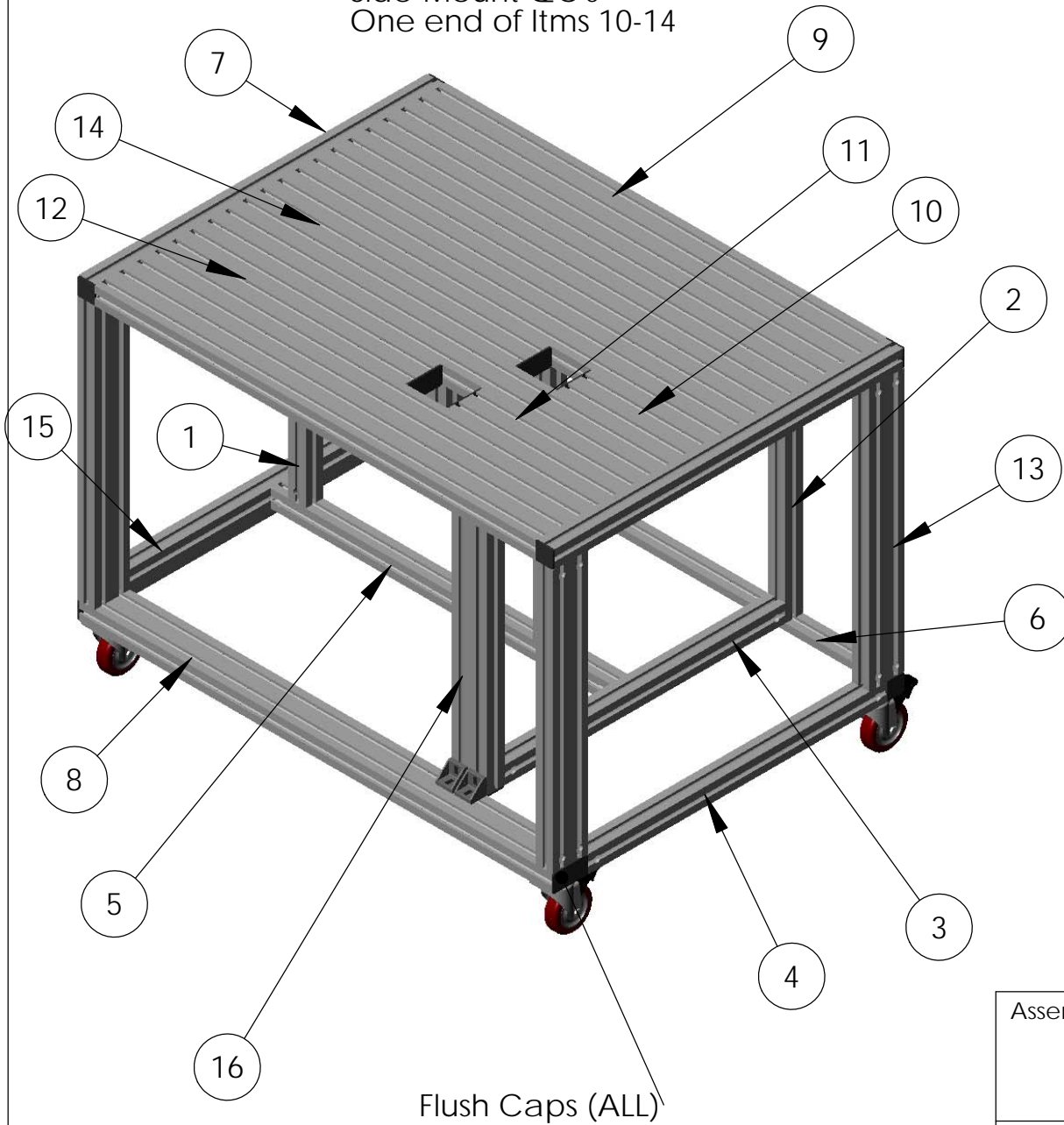
Date:  
9/24/2009

REV

Drawn By: Dan Johnstone

SHEET 1 OF 2

Side-Mount QC's  
One end of Itms 10-14



Flush Caps (ALL)

ITEM NO.	PART NUMBER	QTY.
1	45x45 BED17 629.4mm	2
2	45x45 BED17 674.4mm	1
3	45x45 BED17 719.9mm	2
4	45x45 BED17 764.9mm	1
5	45x45 BED17 869.4mm	1
6	45x45 CTL 1211.2mm	1
7	45x45 CTL 891.9mm	2
8	45x90 CTL 1211.2mm	1
9	45x90 XBED17 1129.2mm	8
10	45x90 XBED17 305mm	1
11	45x90 XBED17 405mm	1
12	45x90 XBED17 616.2mm	1
13	45x90 XBED17 674.4mm	4
14	45x90 XBED17 716.2mm	1
15	45x90 XBED17 764.9mm	1
16	45x90 XOED17 674.4mm	1
18	Alite 784x1149	1
21	GS45	2



Assembly Checked By:

TITLE:

DWG#

3x4 Cart

PROPRIETARY AND CONFIDENTIAL

THE INFORMATION CONTAINED IN THIS DRAWING IS THE SOLE PROPERTY OF FRAMING TECHNOLOGY INC. ANY REPRODUCTION IN PART OR AS A WHOLE WITHOUT THE WRITTEN PERMISSION OF FRAMING TECHNOLOGY INC IS PROHIBITED.

SIZE  
**A**

Date:  
9/24/2009

REV

Drawn By: Dan Johnstone

SHEET 2 OF 2