

**FRAMING
TECHNOLOGY
INC.**

TITLE:

Drawn By:
Dan Johnstone

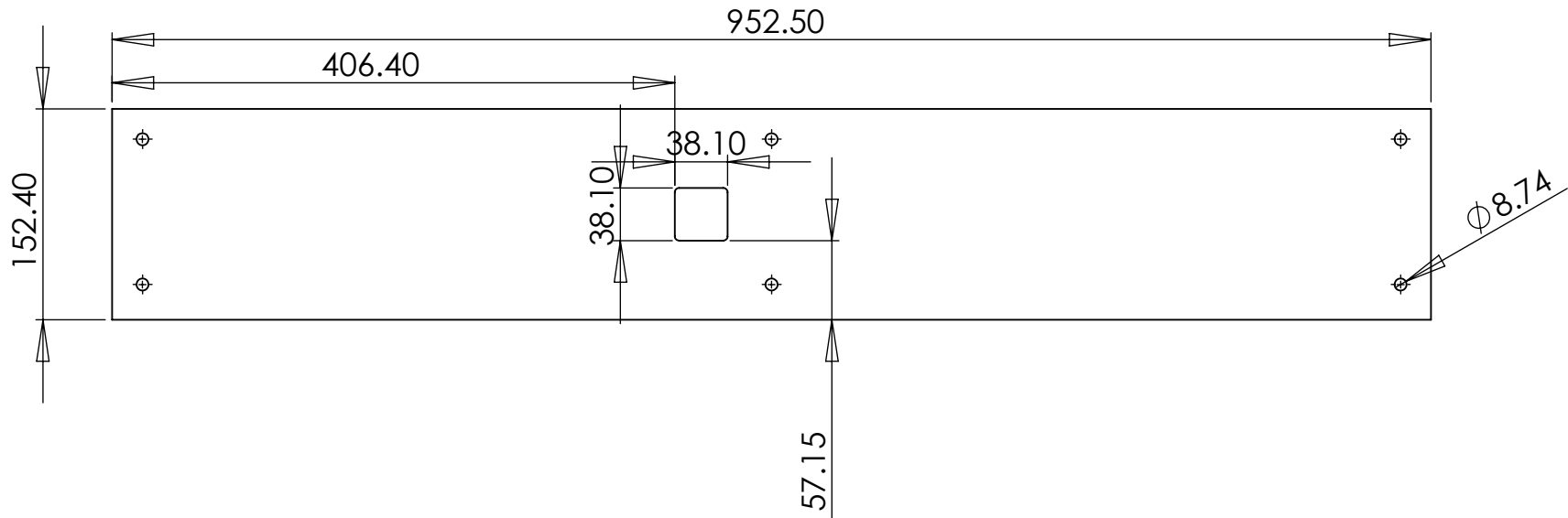
PROPRIETARY AND CONFIDENTIAL

THE INFORMATION CONTAINED IN THIS DRAWING IS THE SOLE PROPERTY OF FRAMING TECHNOLOGY. ANY REPRODUCTION IN PART OR AS A WHOLE WITHOUT THE WRITTEN PERMISSION OF FRAMING TECHNOLOGY IS PROHIBITED.

SIZE DWG. NO.
A 2169-9D-010

SCALE: 1:10 WEIGHT:

SHEET 1 OF 1



**FRAMING
TECHNOLOGY
INC.**

TITLE:

Drawn By:
Dan Johnstone

PROPRIETARY AND CONFIDENTIAL

THE INFORMATION CONTAINED IN THIS
DRAWING IS THE SOLE PROPERTY OF
FRAMING TECHNOLOGY. ANY
REPRODUCTION IN PART OR AS A WHOLE
WITHOUT THE WRITTEN PERMISSION OF
FRAMING TECHNOLOGY IS PROHIBITED.

SIZE DWG. NO.
A 2169-9D-011

SCALE: 1:5 WEIGHT:

SHEET 1 OF 1